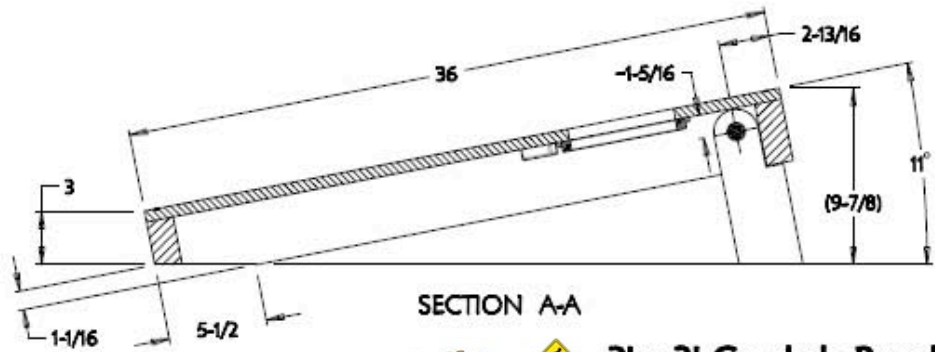
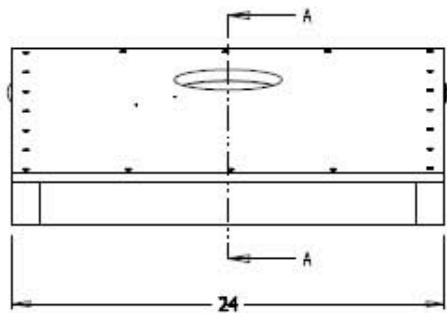
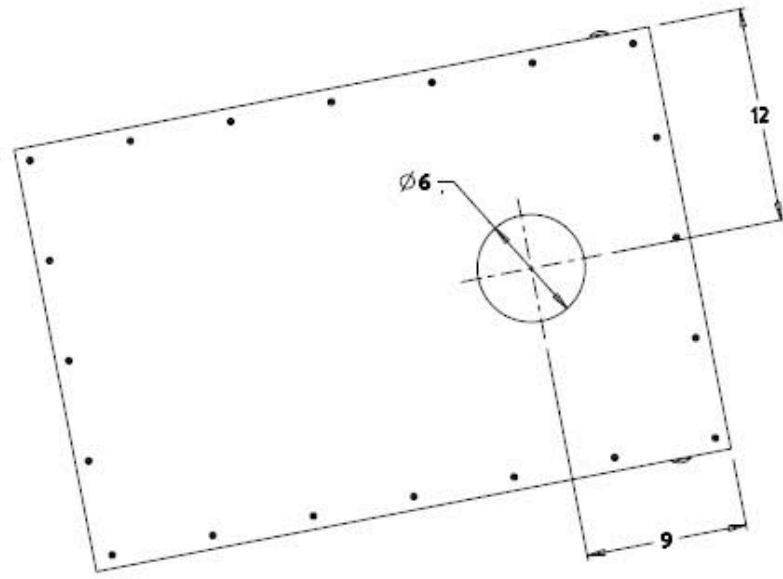
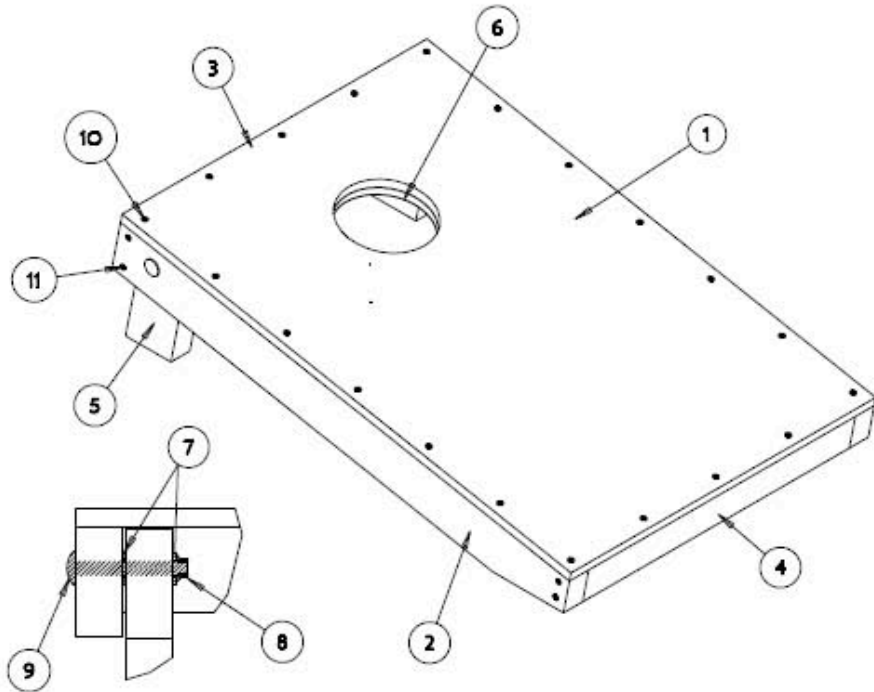
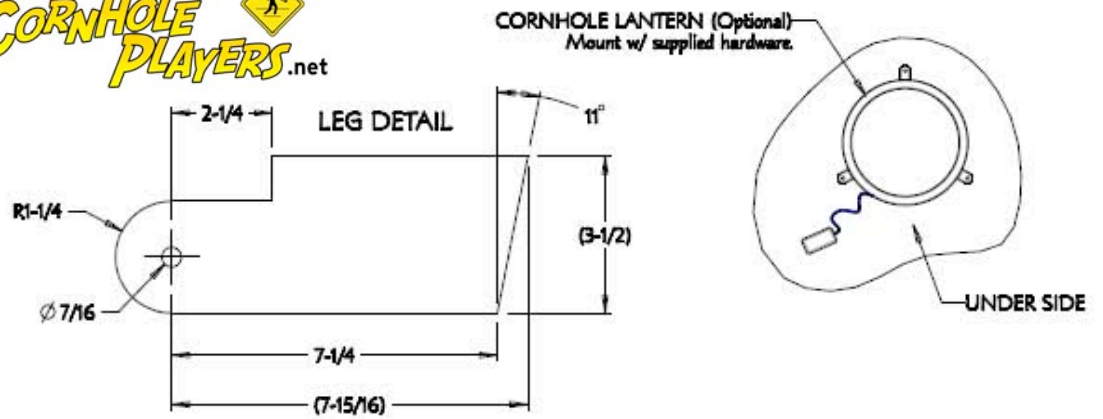


INDEX	MATERIAL	DESCRIPTION	QTY
1	5/8" PLYWOOD TOP	CUT 24" X 36"	1
2	2 X 4 - BASE SIDE	CUT 36" LONG - SEE DETAIL SEC A-A	2
3	2 X 4 - BASE TOP	CUT 21" LONG	1
4	2 X 4 - BASE BOTTOM	CUT 21" LONG - SEE DETAIL SEC A-A	1
5	2 X 4 - LEG	SEE DETAIL	2
6	CORNHOLE LANTERN	ASSEMBLE AS SHOWN	1
7	1/2 WASHER		4
8	1/2 LOCK NUT		2
9	1/2 X 3.5" BOLT	CARRIAGE OR HEX	2
10	WOOD SCREW	1.25" LONG COUNTER SINK AND FILL	20
11	WOOD SCREW	3" LONG COUNTER SINK AND FILL	8



Drawn By: Jeff Witwer (witwer@pobox.com)



3' x 2' Cornhole Board Plans
www.cornholeplayers.net